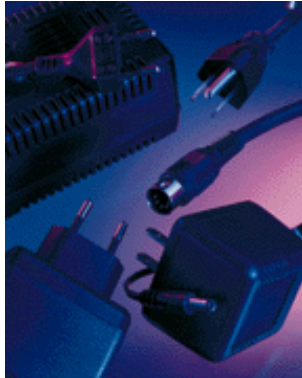


## POWER SOURCES WALLPLUG-IN/DESK-TOP

### ADVANTAGES



- Keeps hazardous line voltage out of the product.
- Increases space for other components in the product.
- Improves aesthetic appearance and portability.
- Reduces size and weight of the product.
- Keeps power supply heat out of the product for increased life.
- Reduces product design time.

### FEATURES

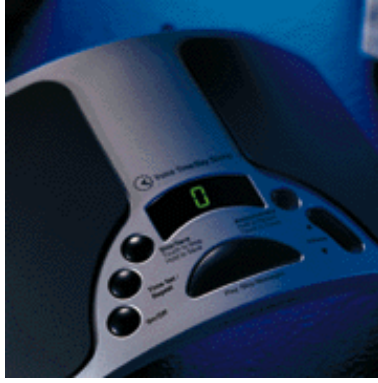
- Domestic Units
  - U.L. Listed
    - U.L.-1310 Class 2 Power Units
  - C.S.A. Certified
- European Units
  - CE Marked
- Output Cords 6 feet long
- Rated for Continuous Duty
- Available in A.C. and D.C. outputs

### SPECIFICATIONS

- Input Voltages
  - Domestic (120V 60Hz), European (230V 50Hz)
  - Other voltages available as custom designs.
- Operating Temperature
  - -10° to +40° C
- Output Voltages Range from 2.5V to 24V
- Output Current Range from 50mA to 3400mA



## CUSTOM DESIGN CAPABILITIES



- Various Case Colors  
-- Pantone Number Required
- Varied length and style of output cord
- Custom nameplates and labels
- Primary input voltages for various countries
- 500 pieces minimum order and release for custom designs
- Optional output plug sizes, styles & polarities.

## APPLICATIONS

- Computer Peripherals
- Portable Games
- Portable Consumer Products
- Telephone Answering Machines
- Laptop Computers
- Equipment Rechargers



# DOMESTIC POWER SOURCES

## Domestic Desk-Top



## Domestic Wall Plug-In



Output power plug compatible for use with Switchcraft 722A or PC-722A.

Input for All Domestic Models is 120 Volts A.C., 60 Hz.

SEC.	STANCOR PART NUMBER	Rated Output			Regulated/Unregulated	Case Style	DIMENSIONS			Weight (lbs.)	Output Plug <sup>®</sup> 2.1x5.5mm Inside Polarity	Agency * Certification			
		Volts	AC/DC	mA			Length (inches) (mm)	Width (inches) (mm)	Height (inches) (mm)						
A	STA-3524	24.0	DC	50	Unregulated	Wall Plug-in	2.2	55.0	1.8	44.6	1.5	37.2	0.35	Negative	UL/CSA
	STA-4124	24.0	AC	300	Unregulated	Wall Plug-in	2.5	63.0	2.0	51.0	1.6	41.0	0.55	★	UL/CSA
	STA-4824B	24.0	AC	450	Unregulated	Wall Plug-in	2.8	70.5	2.2	56.0	1.8	44.6	0.86	★	UL/CSA
B	STA-4824AT	24.0	DC	600	Unregulated	Wall Plug-in	3.5	89.0	2.4	61.0	1.9	47.0	1.15	Negative	UL/CSA
	STA-5724AT	24.0	DC	1000	Unregulated	Wall Plug-in	3.4	86.1	2.6	66.5	2.2	55.0	1.57	Negative	UL/CSA
	STA-5724AT-4	24.0	DC	1000	Unregulated	Wall Plug-in	3.4	86.1	2.6	66.5	2.2	55.0	1.57	Positive	UL/CSA
	STA-6624	24.0	DC	1500	Unregulated	Desk-Top	4.8	121.1	3.1	80.0	2.5	64.5	2.77	Negative	UL/CSA

★ AC Output

For outline drawings refer to page 35.

\* Agency Certification Note:  U.L. 1310 Listed or U.L. 1012 Listed

 CSA Certified (File LR67965)

## Desk-Top Regulated Series

SEC.	STANCOR PART NUMBER	Rated Output			Regulated/Unregulated	Case Style	DIMENSIONS			Weight (lbs.)	Output Connector Diagram	Agency* Certification			
		Volts	AC/DC	mA			Length (inches) (mm)	Width (inches) (mm)	Height (inches) (mm)						
C	STAR-9001	+5	DC	1000	Regulated	Desk-top	4.8	121.1	3.1	80.0	2.5	64.5	2.20	Fig. 1	UL
	STAR-9004	+12	DC	1200	Regulated	Desk-top	4.8	121.1	3.1	80.0	2.5	64.5	2.25	Fig. 2	UL
	STAR-9007	+5	DC	1000	Regulated	Desk-top	4.8	121.1	3.1	80.0	2.5	64.5	2.47	Fig. 3	UL
		+12	DC	300	Regulated										
		-12	DC	300	Regulated										

\* Agency Certification Note: U.L. 1310 Listed (File #E104603) or U.L. 1012 Listed (File #E112433)

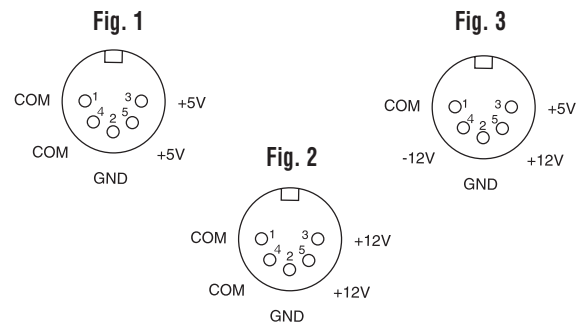
### STAR Series Specifications

- *Input Voltage:* 120V  $\pm$ 10% 60HZ
- *Combined Regulation:*  $\pm$ 5%
- *Output Ripple:* 50m V MAX (Peak to Peak)
- *Operating Temperature:* -10° to +40° C
- *Dielectric Test:* 1500 VAC, RMS
- Short Circuit and Thermal Protected

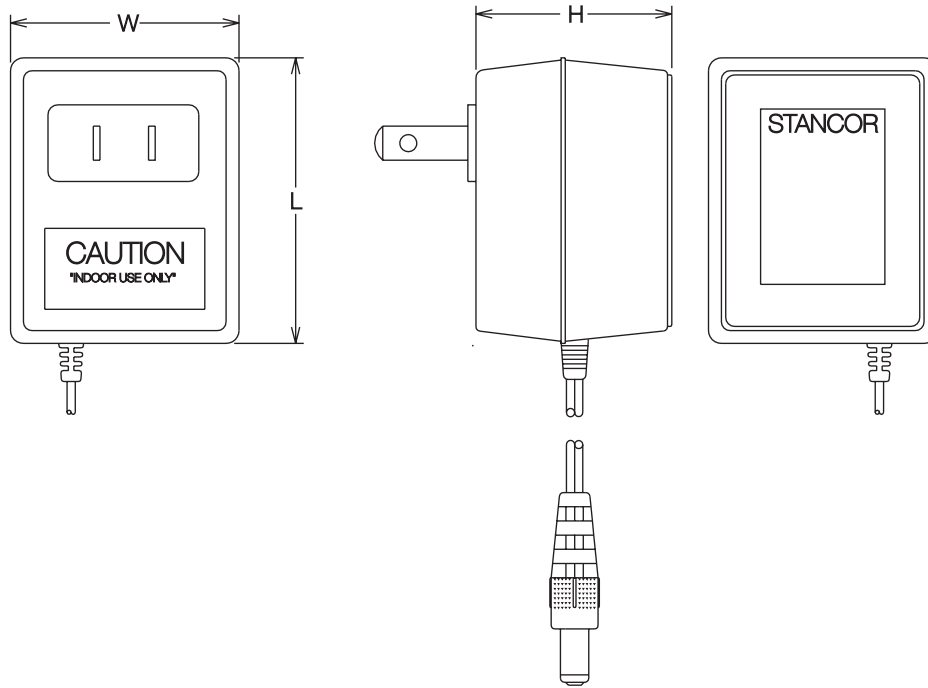
### STAR Series Features

- Single and Multiple Outputs
- Input and Output Cords 6' Long
- Rated For Continuous Duty
- Grounded Input Plug (3 Prong) Nema 5-15
- Mating Receptacle Switchcraft S7GB5F, S7PC5F

## Output Connector Diagrams 5 Pin DIN



**Wall Plug-In**



**Desk-Top**

